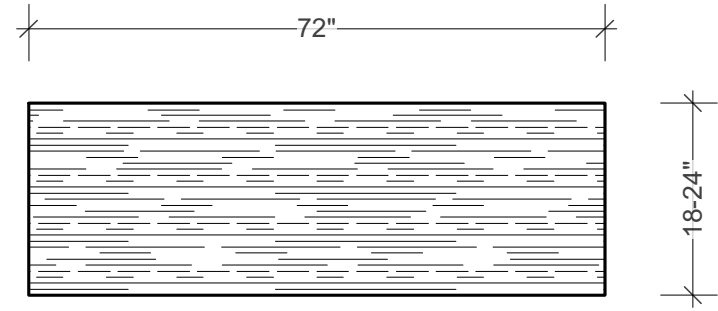
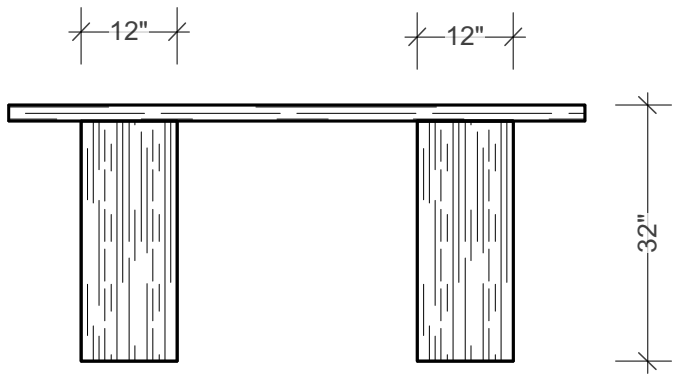
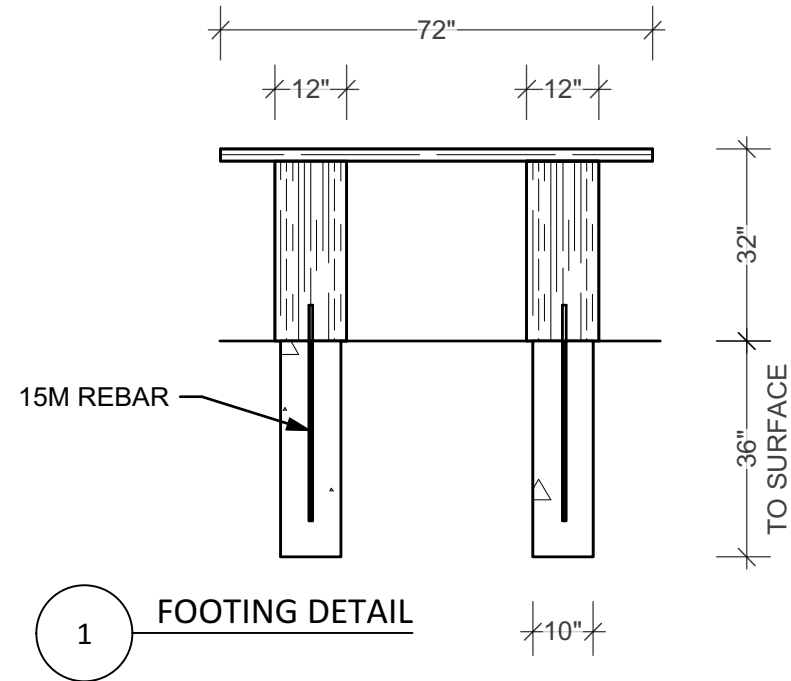


GENERAL NOTES:

- ALL LOGS ARE HAND PEELED AND SANDED
- SIZE AND SHAPE OF LOGS MAY VARY
- TREATMENT OPTIONS ARE AVAILABLE
- AVAILABLE WOOD SPECIES:
 - EASTERN HEMLOCK
 - EASTER LARCH
 - WHITE CEDAR



TITLE: **LIVE EDGE TABLE (WITH FOOTING)**

OCLET

LENGTH: **72"**

WIDTH: **18"-24"**

HEIGHT: **32"**

WEIGHT: **TBD**



Cobequid

Outdoor Recreation Consultants & Contractors
 RR1 Economy, NS B0M1J0. 902.647.2271
 cobequidconsulting1@gmail.com